

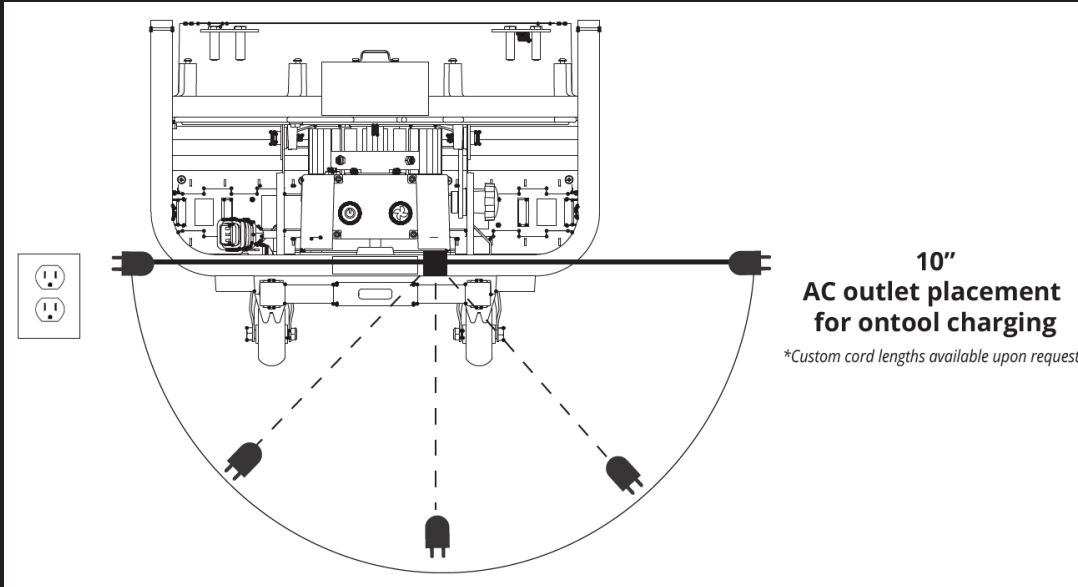


**FRSA**  
Fire Rescue Safety Australia

**RAMFAN**<sup>®</sup>

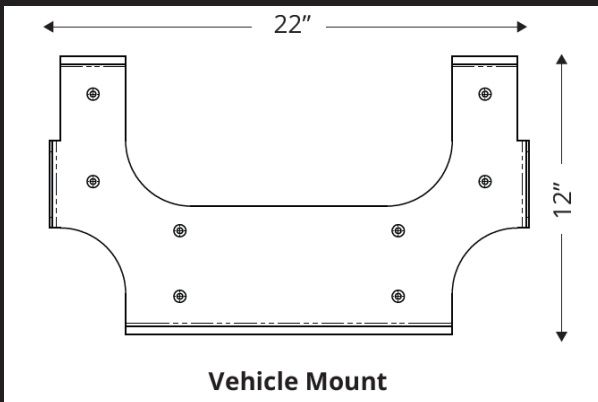
# PRODUCT DATA SHEET

**RAMFAN 40V 18" 46cm**



## TRUCKFIT


| FAN | SIZE |    | DIMENSIONS<br>(HxWxD) |              |
|-----|------|----|-----------------------|--------------|
|     | in   | cm | in                    | cm           |
| 40V | 18   | 46 | 22 x 21 x 12          | 56 x 53 x 30 |





## TECHNICAL SPECIFICATIONS

### 40V 18" / 46cm

| ORDER #                          | 115V<br>EL5500-2PK  | 230V<br>EL-552302PK                        |
|----------------------------------|---|--|
| MOTOR                            | 1 hp BrushlessPPV™  |  |
| RUNTIME @ MAX SPEED              | DC: 45 minutes (two battery packs)<br>AC: Unlimited                                 |  |
| INPUT VOLTAGE RANGE              | 85-264V 1Φ, 50/60 HZ  |  |
| CONSUMPTION (running @ 100%, AC) | 748W  |  |
| CONSUMPTION (CHARGING)           | 81W   |  |
| CHARGER OUTPUT                   | 1.5A, per battery (simultaneous)  |  |
| BATTERY SYSTEM                   | 40V Lithium-ion   |  |
| BATTERY SYSTEM PERFORMANCE       |   |  |
| NOMINAL ENERGY                   | 504 Wh  |  |
| MAXIMUM DISCHARGE CURRENT        | 48A   |  |
| BALANCING                        | Adaptive Passive Method   |  |
| CYCLE LIFE DoD 80%               | >500 Cycles (at 1C charge/discharge 100% DoD)                                       |  |
| IP RATING                        | IP66  |  |
| COMMUNICATION                    | Wireless NFC/BLE  |  |
| RECYCLING MODE                   |  | Safely Recycle by draining residual energy |
| MAINTENANCE MODE                 | Initiate Cell balancing in low use fans   |  |
| DIMENSION                        | 22 x 21 x 12 in / 56 x 53 x 30 cm   |  |
| WEIGHT                           | 54 lbs / 25 kg  |  |
| NOISE                            | < 87 dB   |  |
| OPERATING TEMP RANGE             | -4°F to 105°F / -20°C to 40°C   |  |
| CHARGE TEMP RANGE                | -32°F to 105°F / -0°C to 40°C   |  |
| TILT                             | -10° to 34°   |  |
| CONFORMS TO:                     | <b>CE AMCA</b>  |  |
| AMCA 240-15 AIRFLOW              |   |  |
| BATTERY POWER                    | 10,120 cfm (17,194 m³ / hr)   |  |